



# Marlow Series 20EVP

VERTICAL IN-LINE SELF-PRIMING CENTRIFUGAL PUMPS  
FOR PETROLEUMS AND SOLVENTS



### STANDARD UNIT INCLUDES:

**PUMP:** Heavy-duty cast iron construction, with 2" NPT female threaded, in-line suction and discharge ports. This compact, vertical design is self-supporting and requires a minimum of floor space.

The self-priming feature allows the pump to be mounted above the liquid and suction lifts of 10' to 20' can be achieved, depending on the liquid and the pump model. Diffuser priming eliminates the need for a check valve and reduces radial loads insuring longer bearing life.

These pumps are sealed by a self-lubricating, Viton mechanical shaft seal. When used on a suction lift any leakage that may occur will be down into the pump rather than up the motor shaft as the seal is on the suction side of the impeller.

**MOTOR:** Single phase motors are 60 cycle, 115/230 volt, except 2 HP explosion proof motors which are 230 volt only. Three phase motors are 60 cycle, 230/460 volt and all are 3450 RPM motors. All explosion proof motors are Class I, Group D, Code: T3B.

**OPTIONAL MOUNTING:** All models fit the Marlow Pumps lightweight, two wheel chassis. Kit illustrated in Section 800.

**OPTIONAL SEAL:** Kalrez mechanical seals are available. Contact factory for more information.

### PERFORMANCE

Capacity in U.S. Gallons per Minute											
Pump Model	Size	Total Head in Feet									
		10	20	30	40	50	60	70	80	90	100
20EVP	9A	–	112	93	72	23	–	–	–	–	–
	10A	–	–	63	58	51	36	12	–	–	–
	11A	–	103	94	84	72	55	15	–	–	–
	12A	–	115	108	100	90	78	65	41	–	–
	17A	–	121	120	116	110	102	91	77	60	32

**NOTE:** Capacities listed are for 5 ft. dynamic suction lift. With higher lifts, capacities will be lower and on flooded suction, capacities will be higher.

### STANDARD CONSTRUCTION

- Casing – Close Grained Cast Iron
- Base – Close Grained Cast Iron
- Impeller – Nickel Plated Cast Iron
- Diffuser – Nickel Plated Cast Iron
- Shaft Seal – 5/8" Viton, Stainless and Brass, Self-Lubricating

### SPECIFICATIONS

- Pump Tank Capacity – 1 Gallon
- Priming Connection – 1" (Plugged)
- Drain Connection – 3/8" (Plugged)
- Working Pressure – 100 PSI

Elastomers – Model EVP – Viton

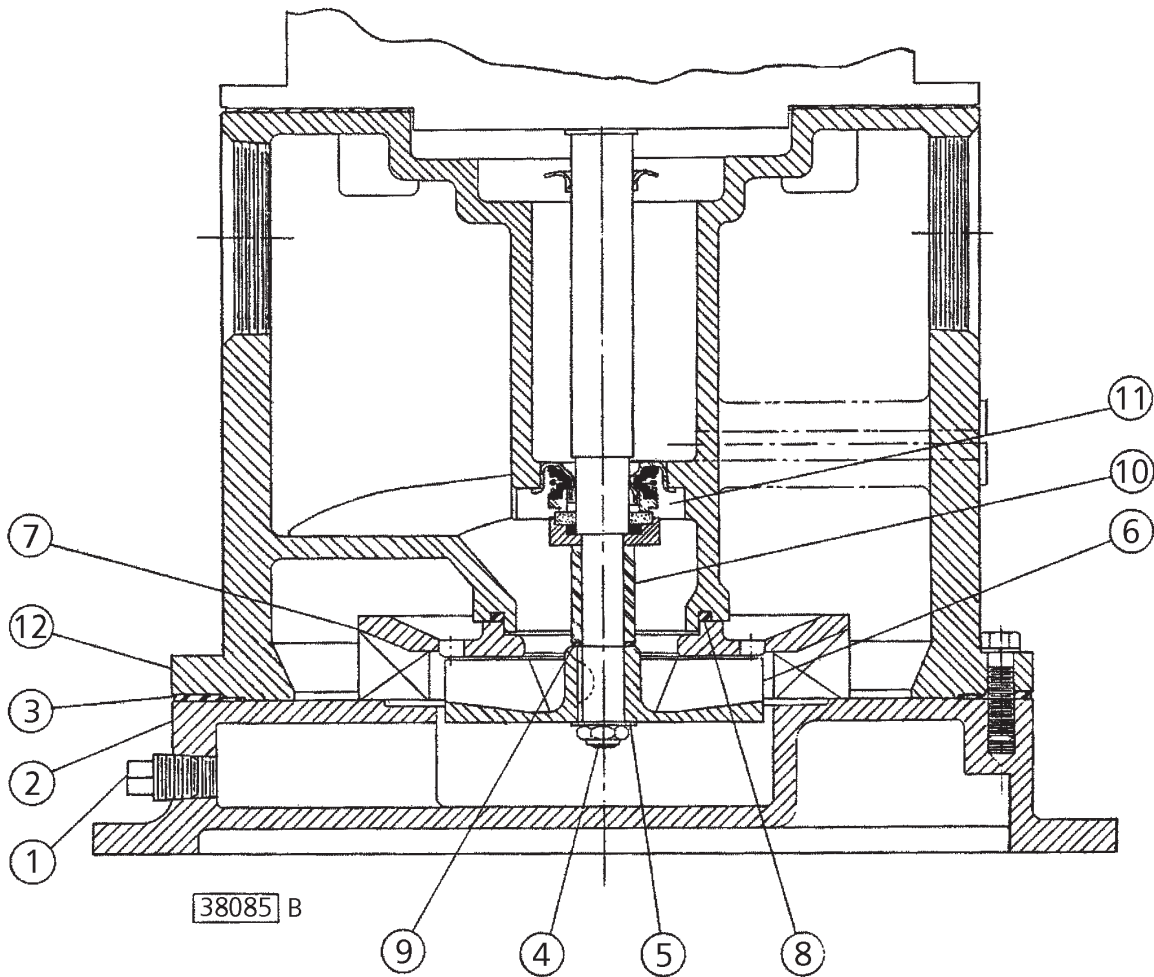
### MAXIMUM STATIC SUCTION LIFT

Cold, Clear Water at Sea Level					
Model	9A	10A	11A	12A	17A
S.L. in Feet	12	14	11	20	20

### TYPE IMPELLER AND SOLIDS SIZE

Pump Sizes					
Type Impeller	9A Open	10A Closed	11A	12A	17A
Maximum Size Solids Handled	7/16"	3/16"	3/16"	3/16"	3/16"

**CROSS SECTION**

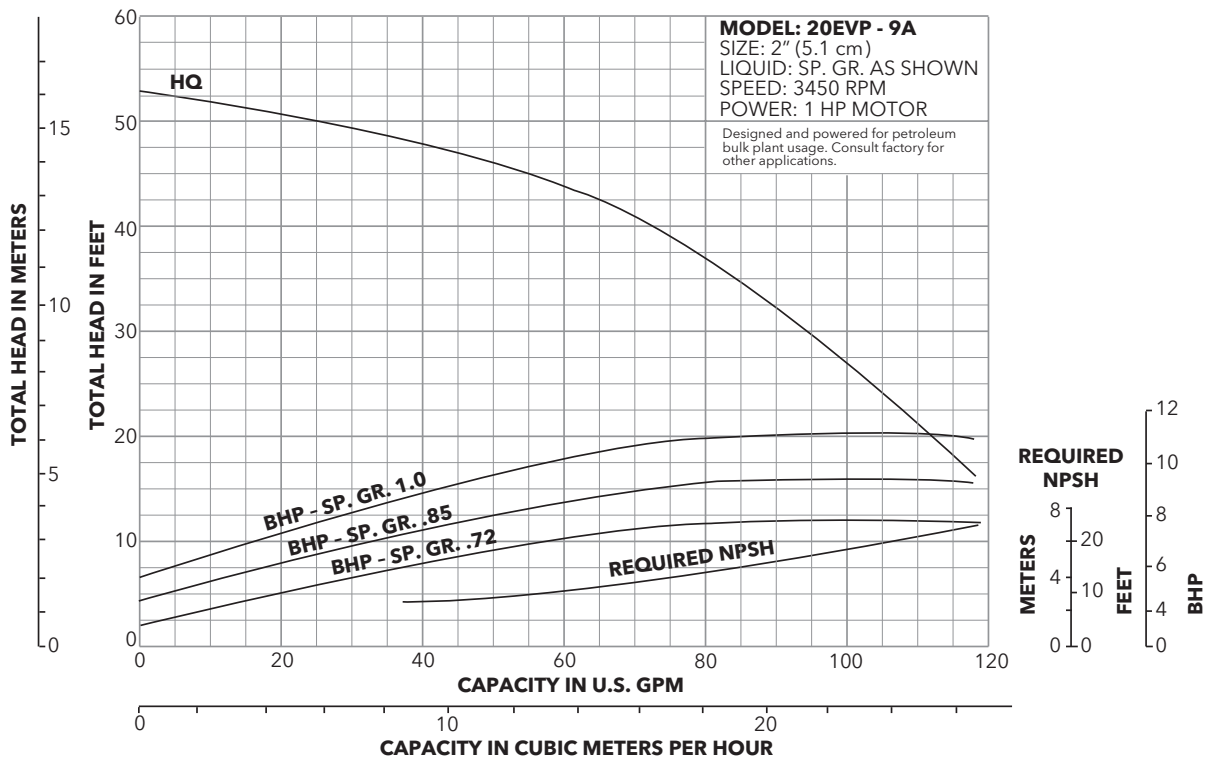
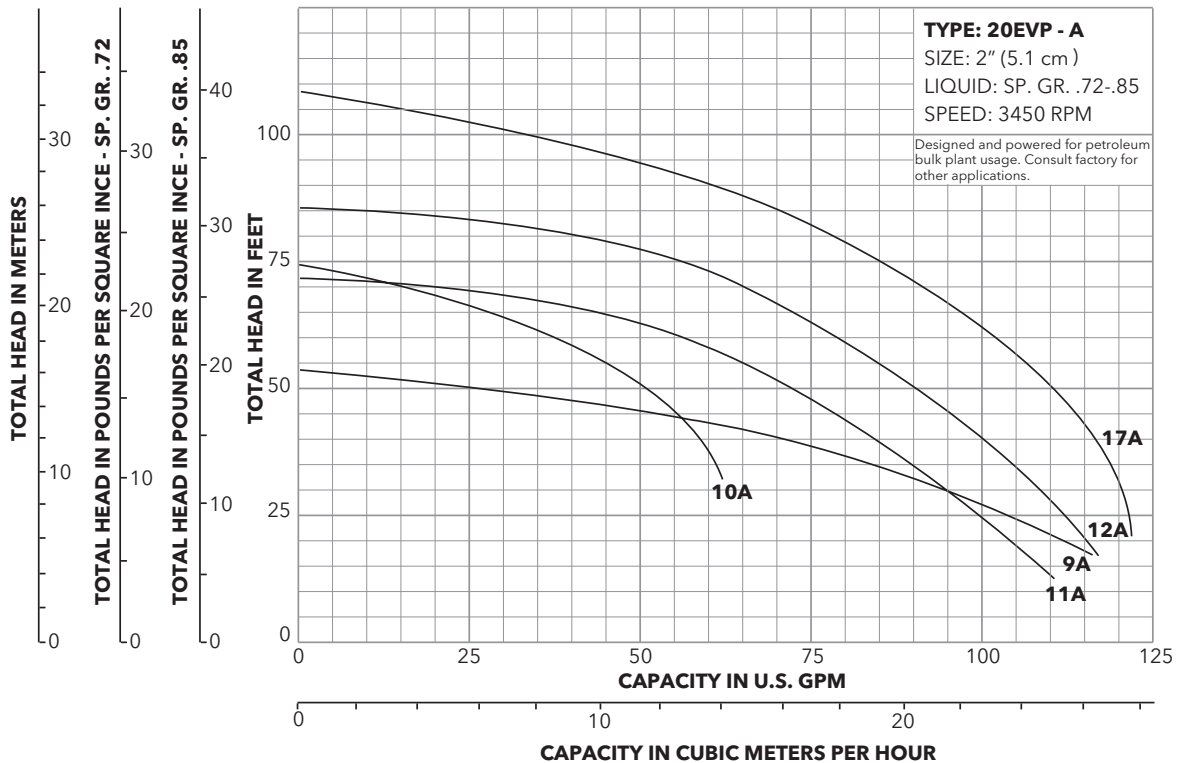


Key	Description	Key	Description
1	Drain Plug	7	Diffuser
2	Cover	8	Gasket, Diffuser
3	Gasket, Cover	9	Impeller Shim
4	Impeller Nut	10	Impeller Spacer
5	Impeller Washer	11	Seal Assembly
6	Impeller	12	Tank

### PERFORMANCE CURVES

#### EVP-A Units Designed and Powered for Petroleum Bulk Plant Usage

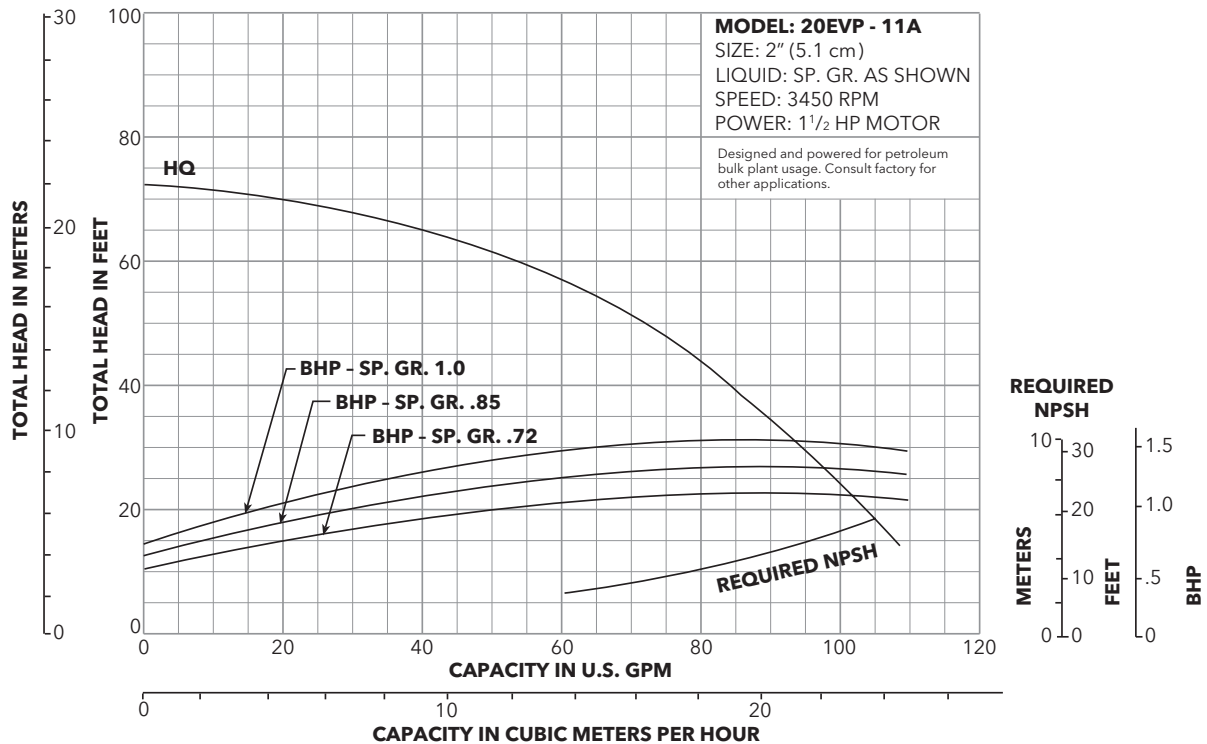
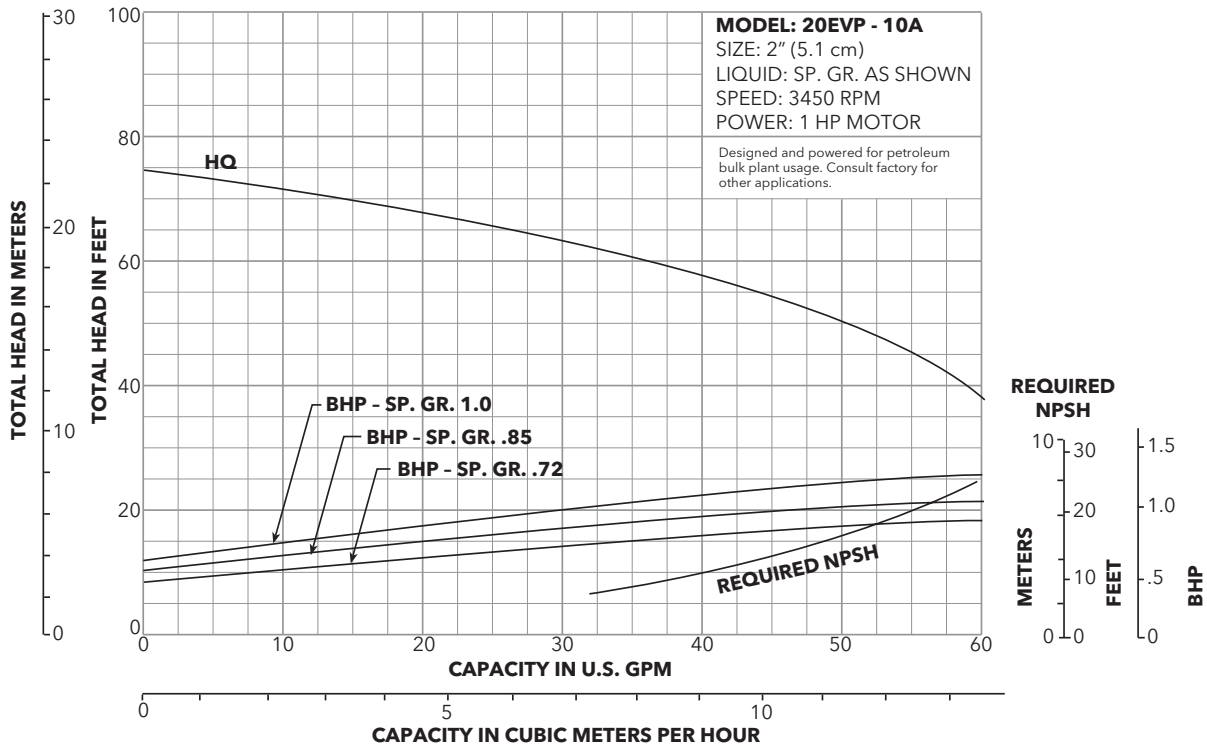
The performance curves shown in this manual and other published literature were taken from actual tests of standard production pumps and reflect an average performance of the pumps indicated.



### PERFORMANCE CURVES

#### EVP-A Units Designed and Powered for Petroleum Bulk Plant Usage

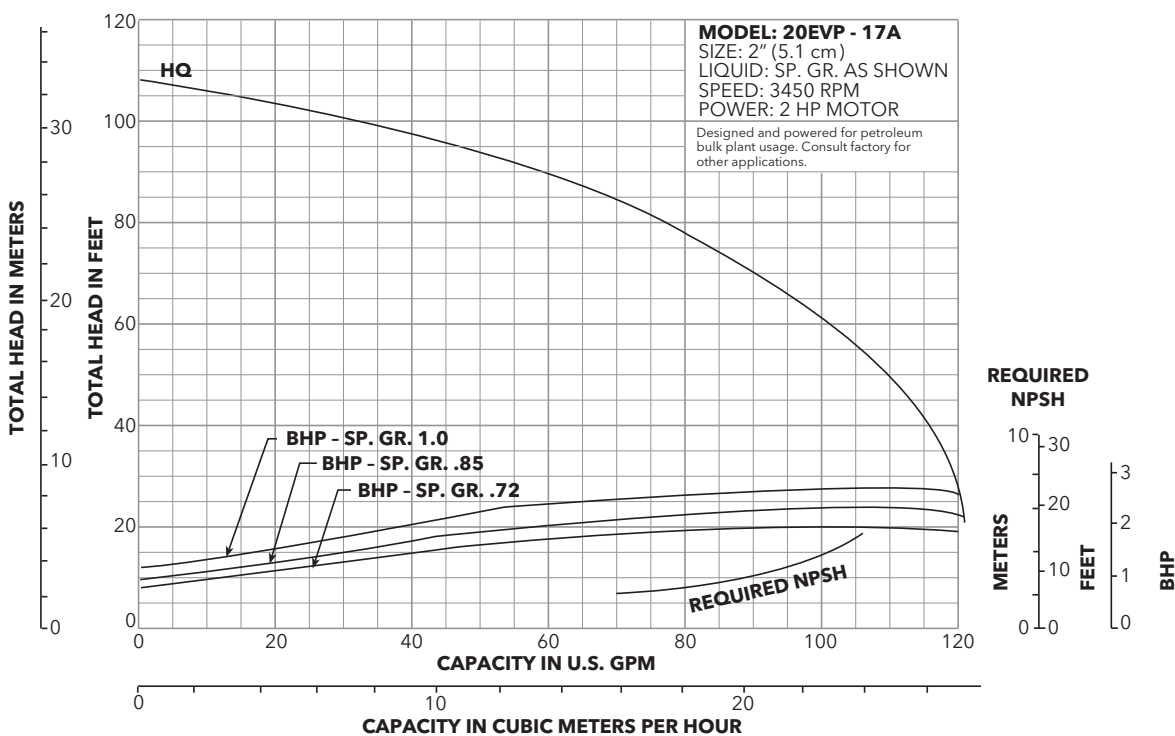
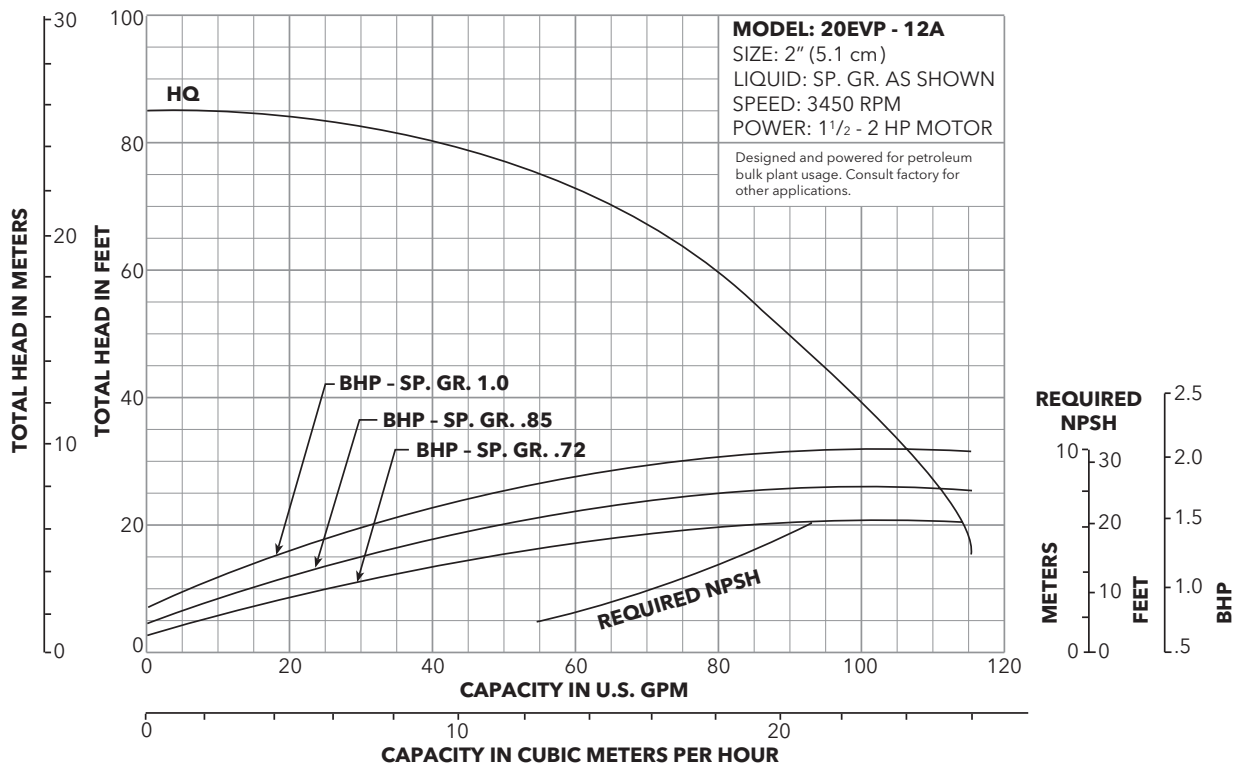
The performance curves shown in this manual and other published literature were taken from actual tests of standard production pumps and reflect an average performance of the pumps indicated.



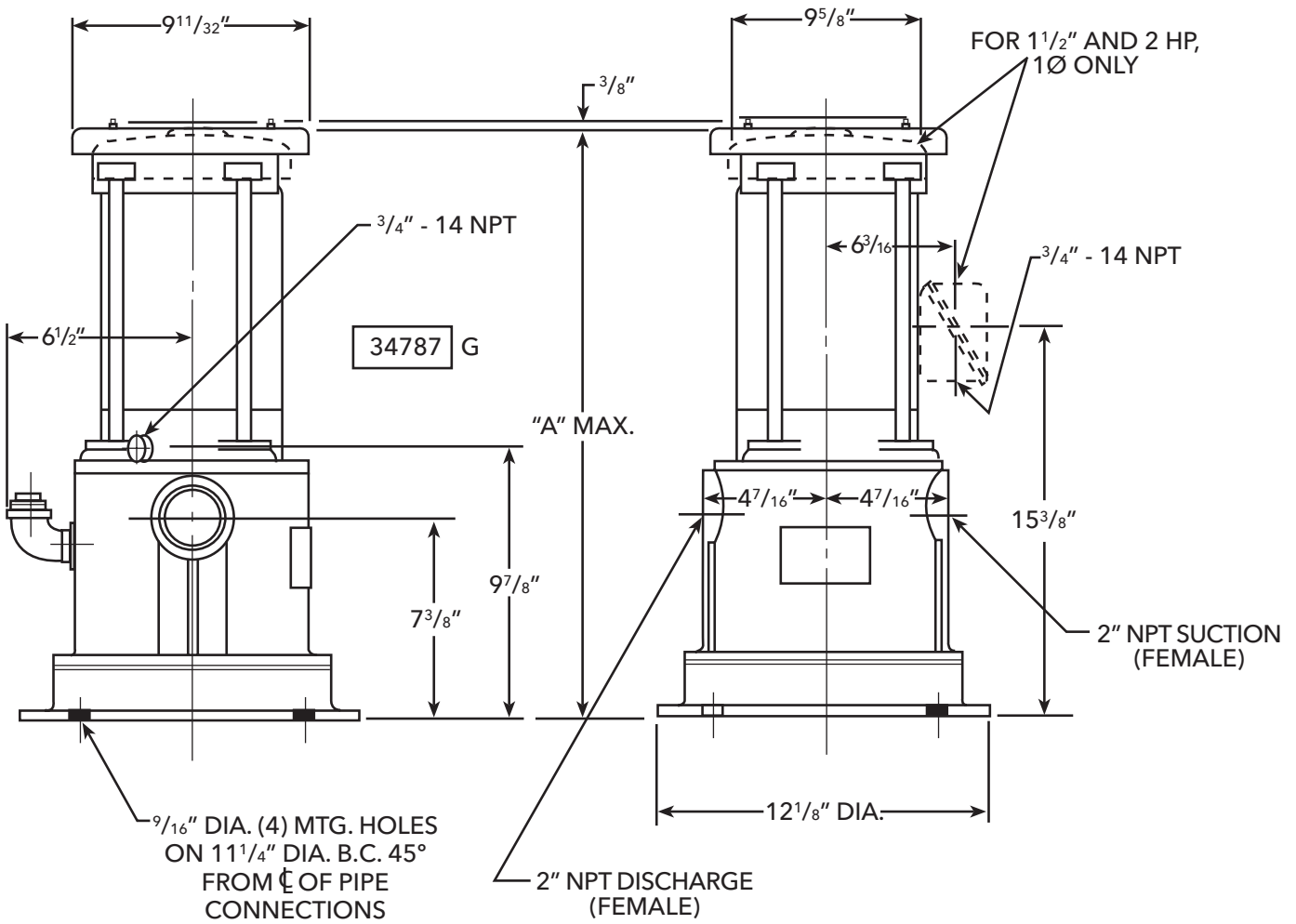
### PERFORMANCE CURVES

#### EVP-A Units Designed and Powered for Petroleum Bulk Plant Usage

The performance curves shown in this manual and other published literature were taken from actual tests of standard production pumps and reflect an average performance of the pumps indicated.



### DIMENSIONS



Dimensions shown in inches

Explosion Proof Motors			
HP	Phase	Cycle	A
1	1	60	20 1/2"
	3		19 1/2"
1 1/2	1		26 7/8"
	3		20 1/2"
2	3		26 7/8"
			21 7/8"

Dimensions may vary by manufacturer.

**NOTE:** These dimensions are not to be used for construction purposes without formal factory approval.

# Xylem |'zīləm|

- 1) The tissue in plants that brings water upward from the roots;
- 2) a leading global water technology company.

We're a global team unified in a common purpose: creating innovative solutions to meet our world's water needs. Developing new technologies that will improve the way water is used, conserved, and re-used in the future is central to our work. We move, treat, analyze, and return water to the environment, and we help people use water efficiently, in their homes, buildings, factories and farms. In more than 150 countries, we have strong, long-standing relationships with customers who know us for our powerful combination of leading product brands and applications expertise, backed by a legacy of innovation.

**For more information on how Xylem can help you, go to [www.xylem.com](http://www.xylem.com)**



Xylem Inc.  
2881 East Bayard Street Ext., Suite A  
Seneca Falls, NY 13148  
Phone: (800) 453-6777  
Fax: (888) 322-5877  
[www.gouldswatertechnology.com](http://www.gouldswatertechnology.com)

Goulds is a registered trademark of Goulds Pumps, Inc. and is used under license.  
© 2015 Xylem Inc. B20EVP R2 October 2015